

2



12,5 h



69 m<sup>2</sup>



10,8x11x2,9 m



~514 kg



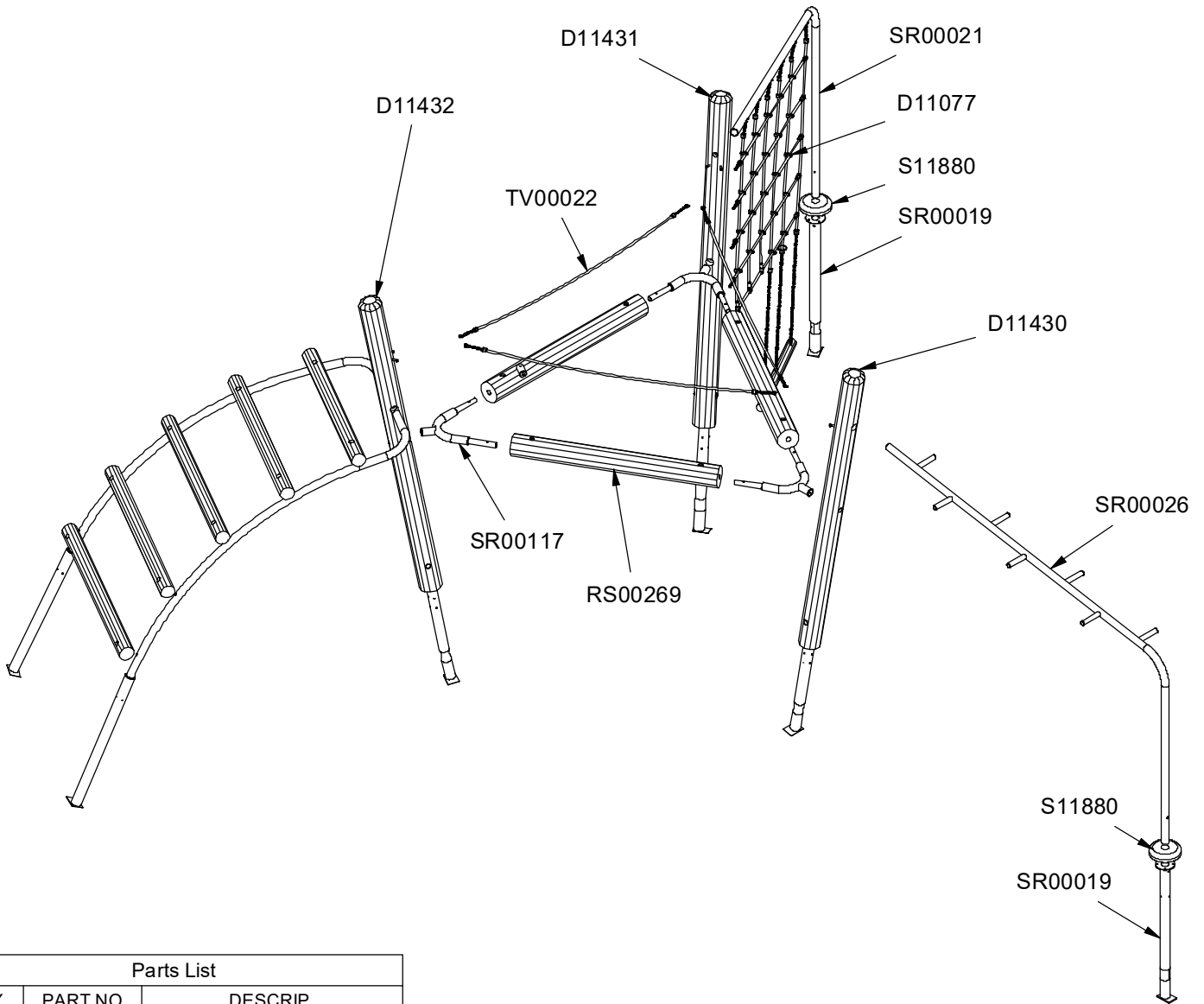
~0,25 m<sup>3</sup>



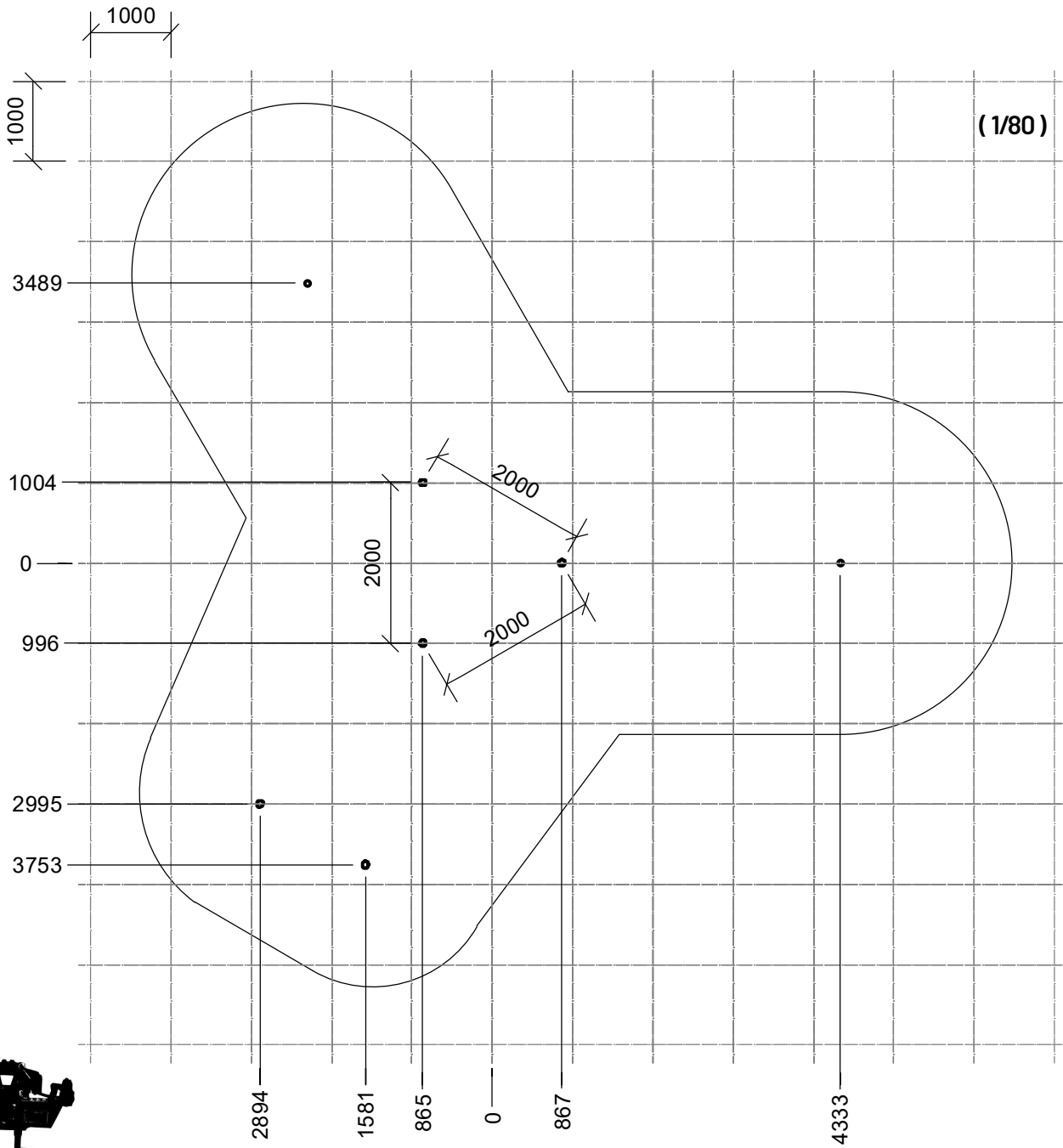
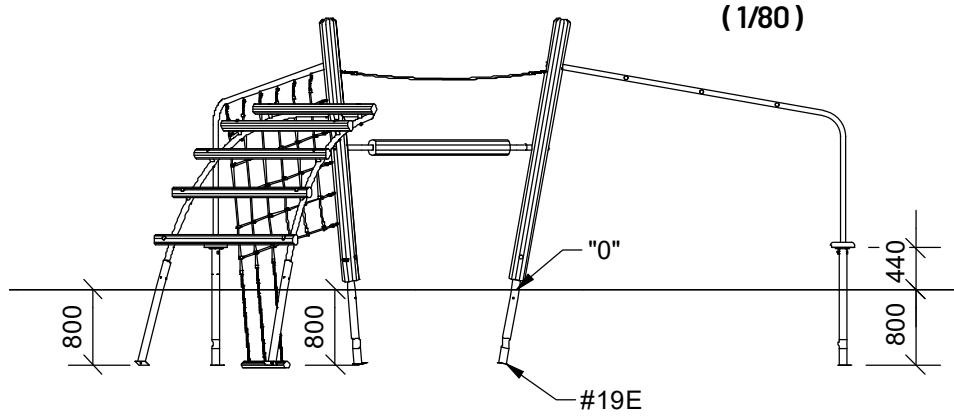
Ø20x375 cm

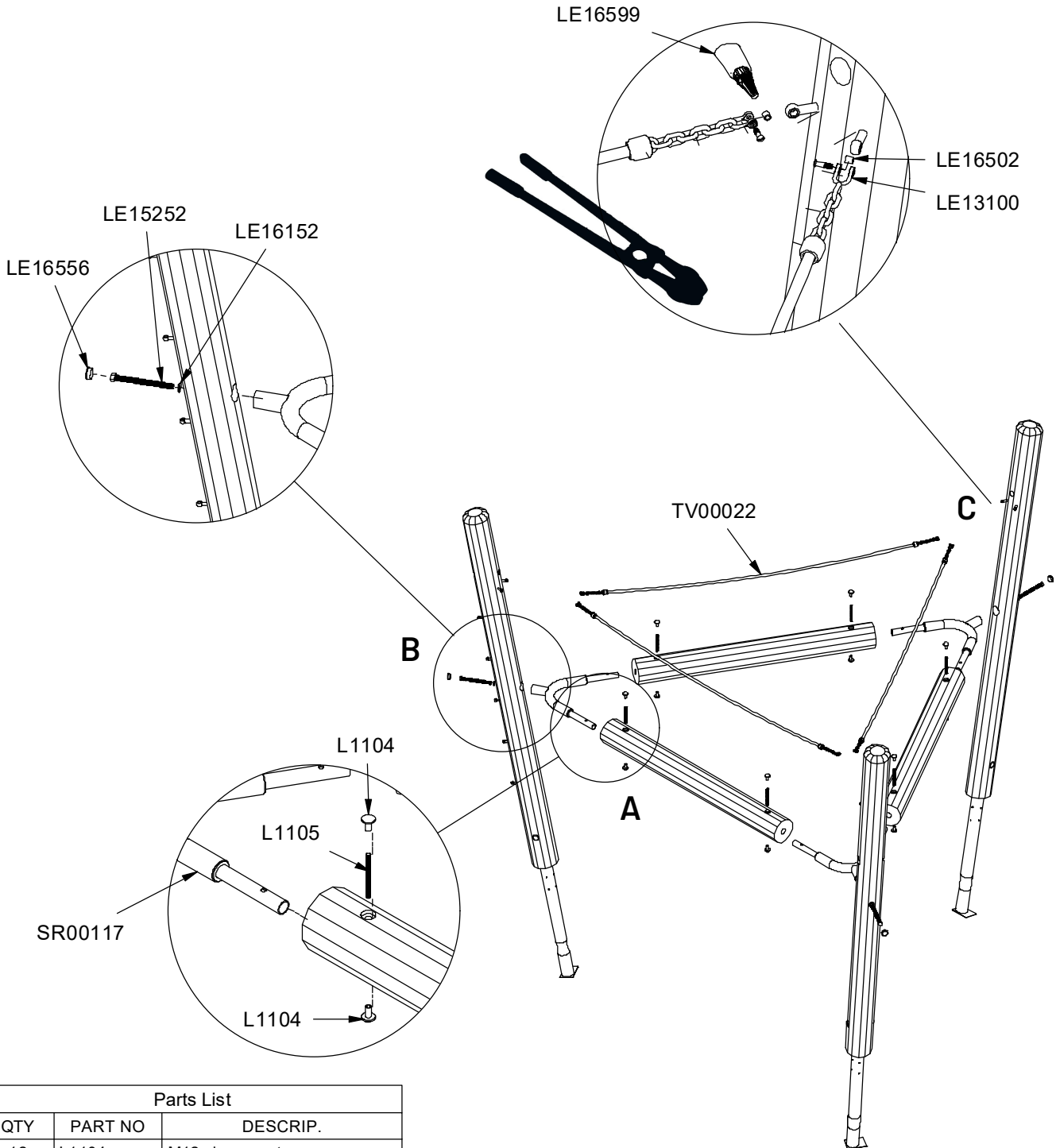


90 kg

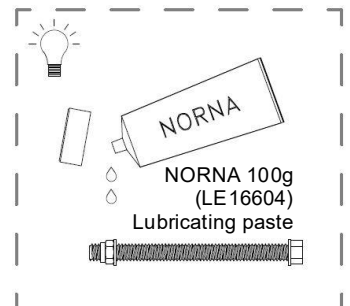


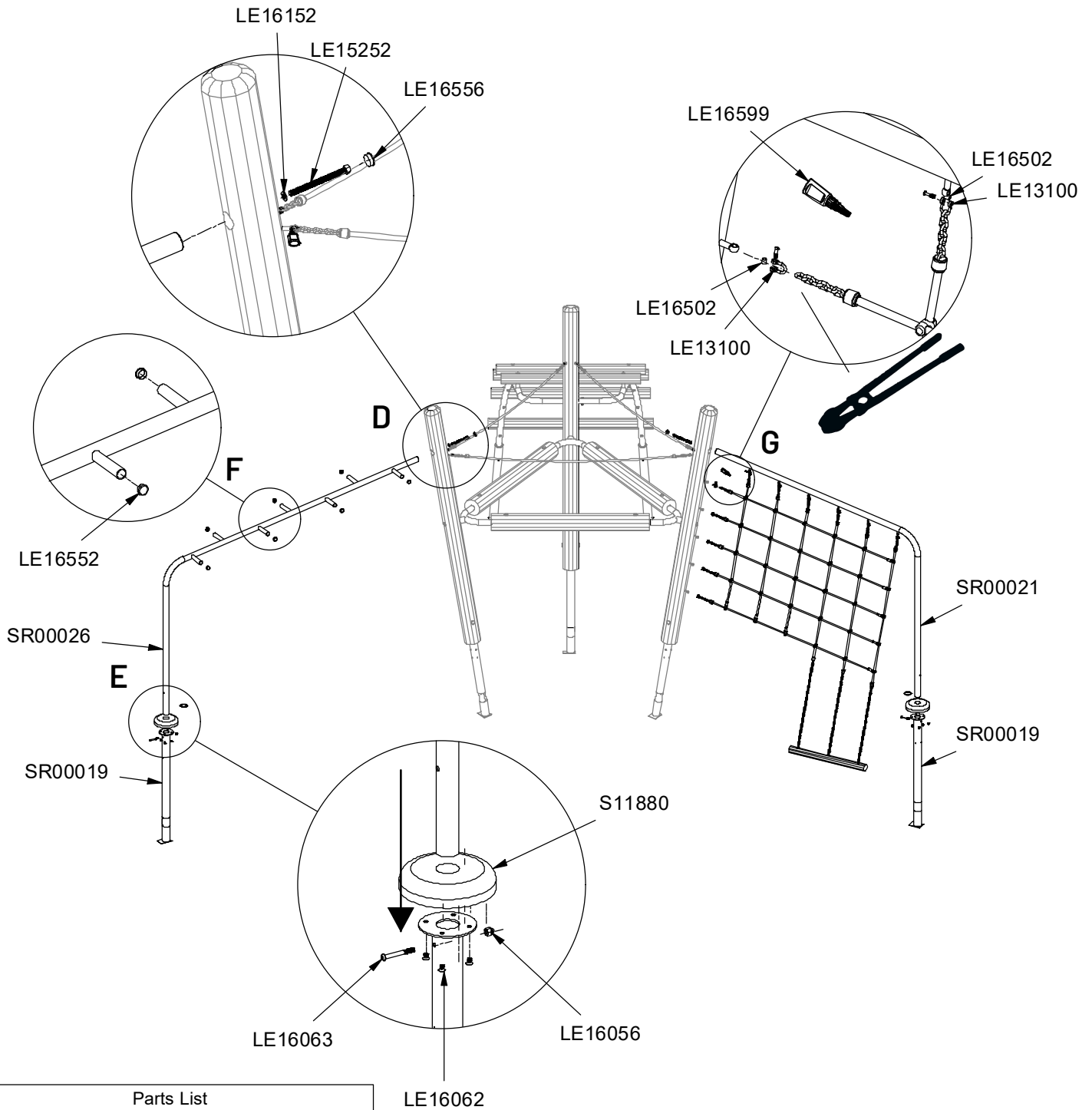
Parts List		
QTY	PART NO	DESCRIP.
1	D11077	Taifun net
1	D11430	Ø200x3740mm, assembled
1	D11431	Ø200x3740mm, assembled
1	D11432	Ø200x3740mm, assembled
1	RS00108	Robinia, Ø120x1700mm
1	RS00109	Robinia, Ø120x1650mm
1	RS00119	Robinia, Ø120x1600mm
1	RS00120	Robinia, Ø120x1550mm
1	RS00121	Robinia, Ø120x1450mm
3	RS00269	Ø160-180x1620mm
2	S11880	Ø250/45 mm
2	SR00019	Ø80x1240mm
1	SR00021	Ø60 tube
1	SR00026	Ø60, Tube for Monkeybars
1	SR00054	Ø60/Ø80 right ladder frame
1	SR00056	Ø60/Ø80 left ladder frame
3	SR00117	Ø38/60 tube, 60°
3	TV00022	Ø16 mm Taifun



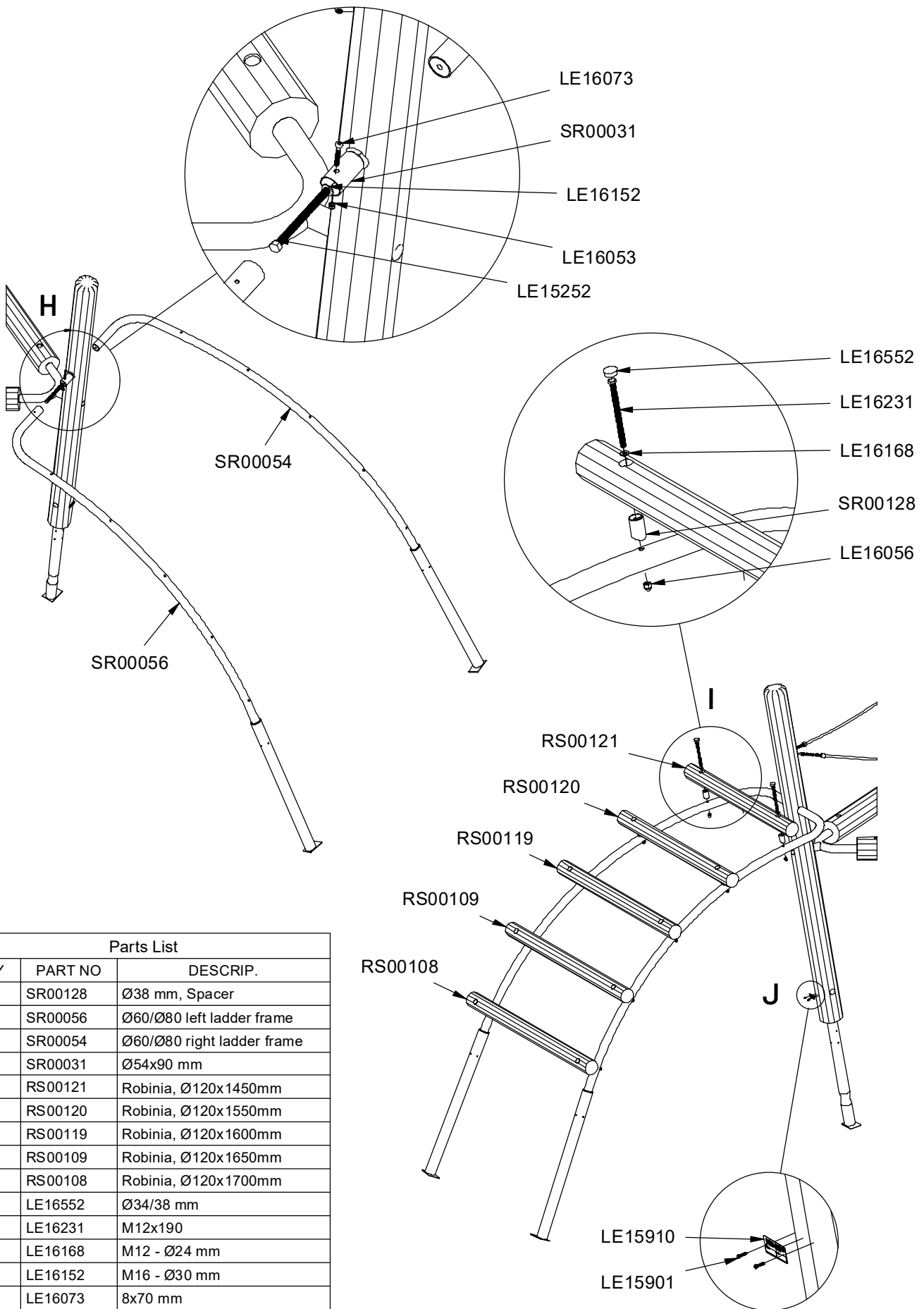


Parts List		
QTY	PART NO	DESCRIP.
12	L1104	M12 sleeve nut
6	L1105	Threaded rod M12x130
3	LE15252	M16x200 mm
3	LE16152	M16 - Ø30 mm
3	LE16556	Ø42/38mm
3	TV00022	Ø16 mm Taifun
3	SR00117	Ø38/60 tube, 60°
6	LE13100	Shackle
6	LE16502	Spacer 6mm
2	LE16599	Sealtite 970 1,5 ml (Glue)





Parts List		
QTY	PART NO	DESCRIP.
1	D11077	Taifun net
11	LE13100	Shackle
2	LE15252	M16x200 mm
2	LE16056	M12 cap nut
8	LE16062	10x14 mm
2	LE16063	10x90 mm
2	LE16152	M16 - Ø30 mm
11	LE16502	Spacer 6mm
7	LE16552	Ø34/38 mm
2	LE16556	Ø42/38mm
2	LE16599	Sealtite 970 1,5 ml (Glue)
2	S11880	Ø250/45 mm
2	SR00019	Ø80x1240mm
1	SR00021	Ø60 tube
1	SR00026	Ø60, Tube for Monkeybars



Parts List

QTY	PART NO	DESCRIP.
10	SR00128	Ø38 mm, Spacer
1	SR00056	Ø60/Ø80 left ladder frame
1	SR00054	Ø60/Ø80 right ladder frame
1	SR00031	Ø54x90 mm
1	RS00121	Robinia, Ø120x1450mm
1	RS00120	Robinia, Ø120x1550mm
1	RS00119	Robinia, Ø120x1600mm
1	RS00109	Robinia, Ø120x1650mm
1	RS00108	Robinia, Ø120x1700mm
10	LE16552	Ø34/38 mm
10	LE16231	M12x190
10	LE16168	M12 - Ø24 mm
1	LE16152	M16 - Ø30 mm
1	LE16073	8x70 mm
10	LE16056	M12 cap nut
1	LE16053	M8 cap nut
1	LE15252	M16x200 mm